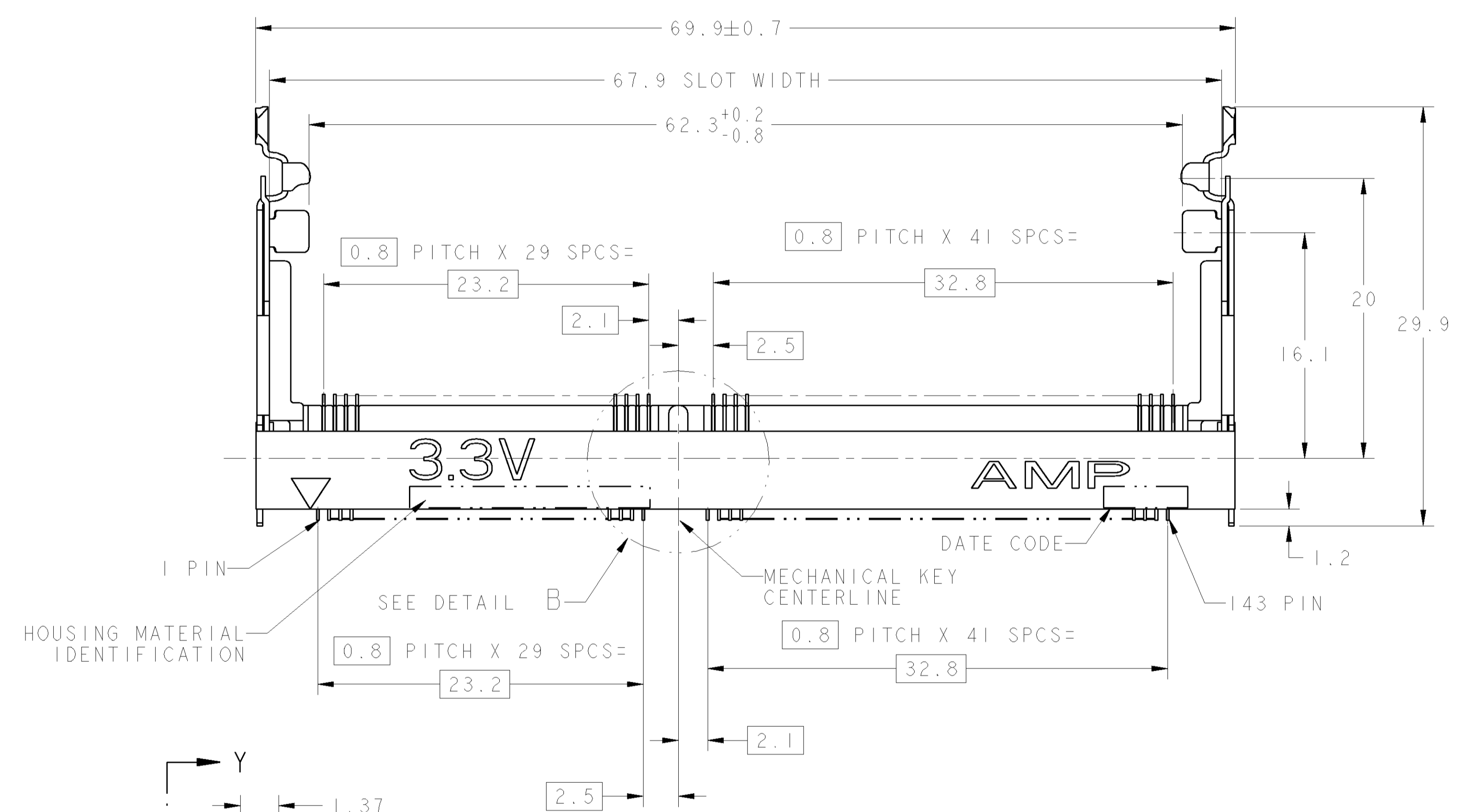
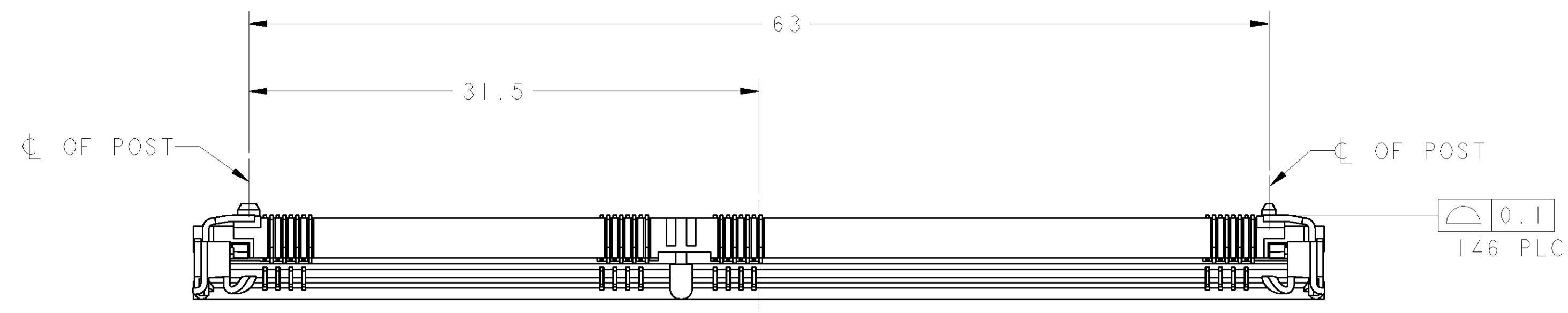
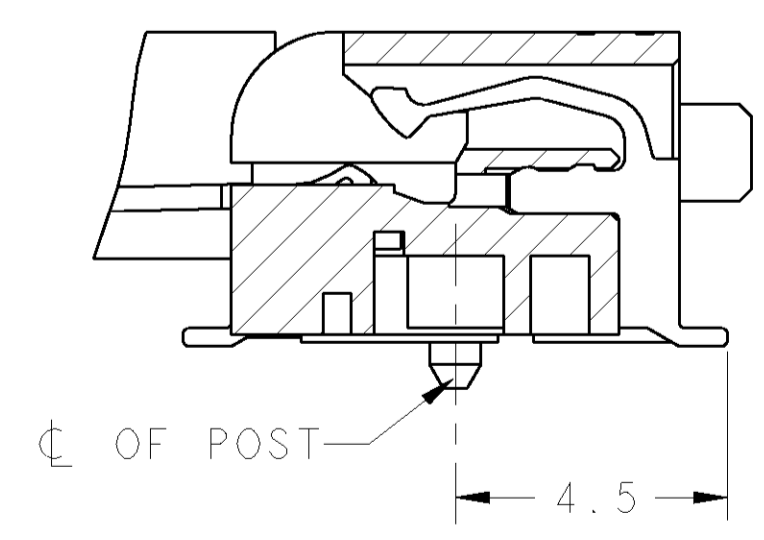
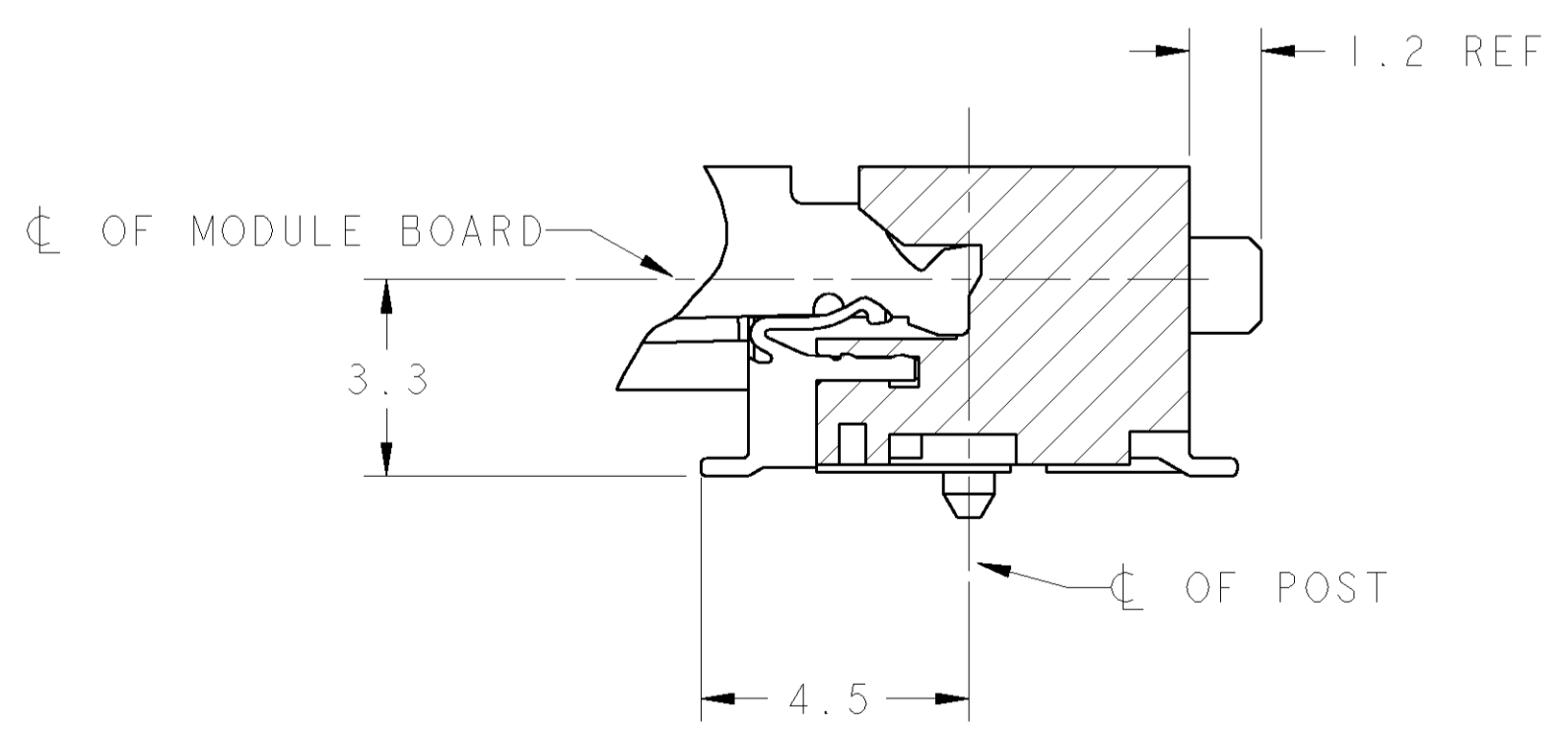
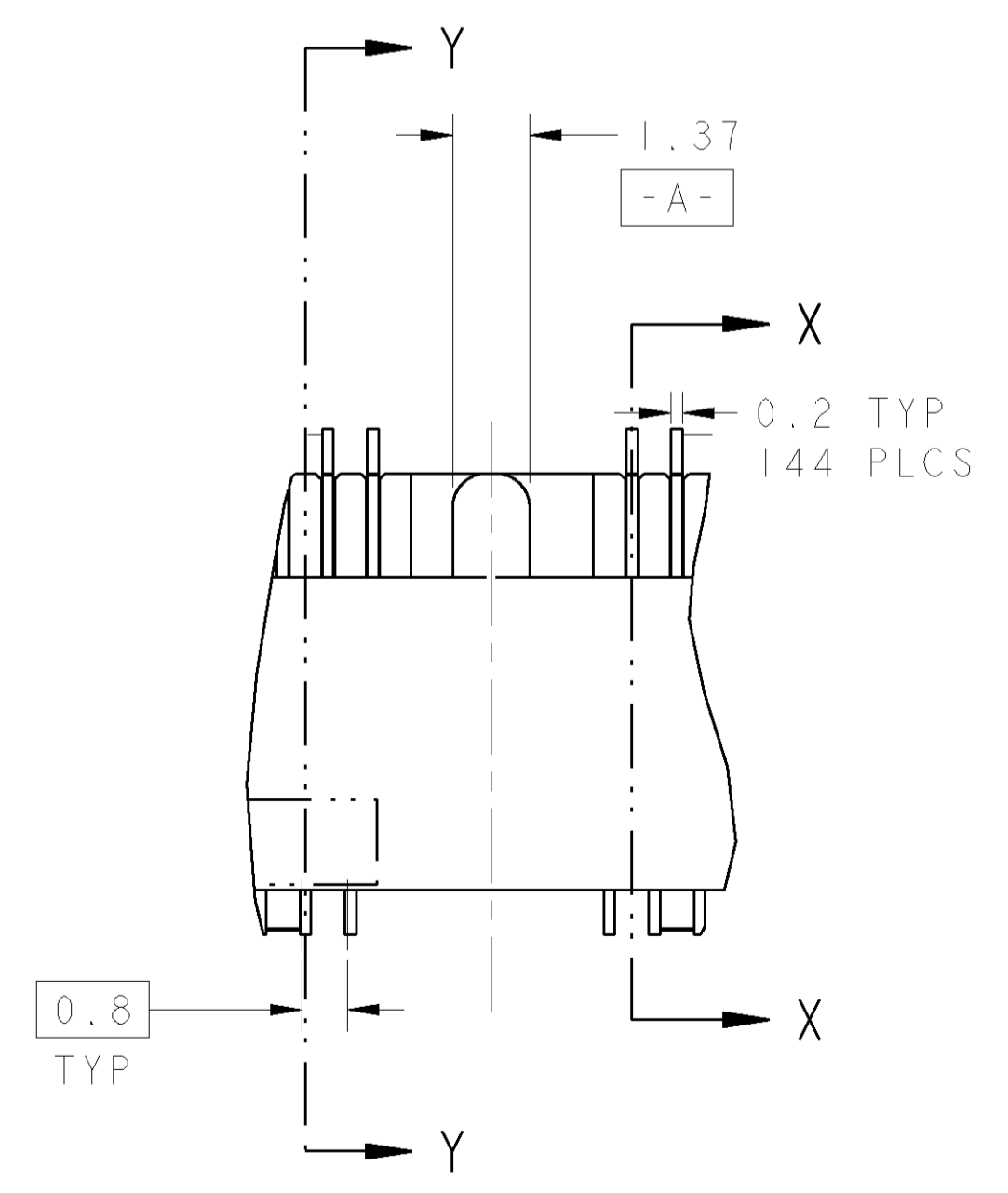
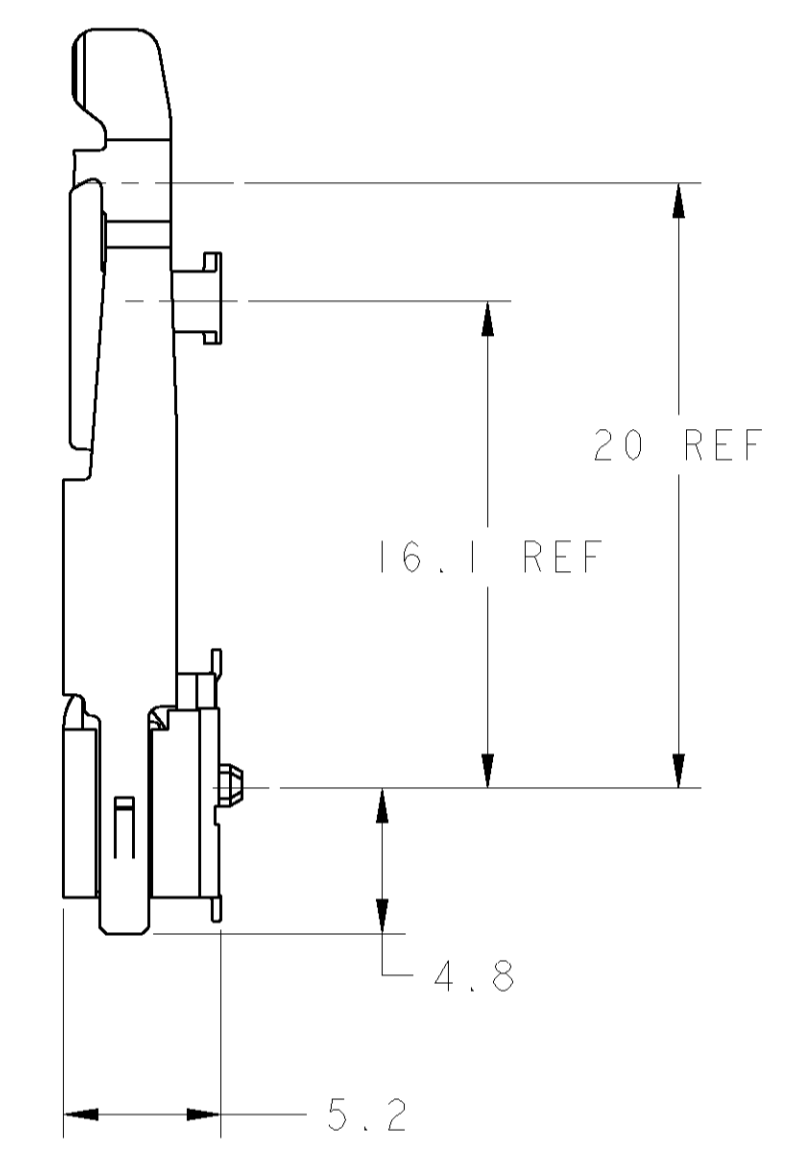


REVISONS		DATE	DNM	APRD
F	LTR			
L	REVISED ECR-05-006242	06JUL05	SYJ	LSF



- 1 MATERIAL, HOUSING, HIGH TEMPERATURE PLASTIC, UL94V-0, NAT. CONTACT: COPPER ALLOY LATCH: SUS301 STAINLESS STEEL PLATING.
- 2 FINISH; CONTACT AREA: 0.00025 MIN GOLD PLATE ON 0.001 MIN ALL OVER NICKEL SOLDERING AREA: 0.00005 MIN TO 0.00030 MAX GOLD PLATE.
- 3 TOLERANCES NON-ACCUMULATIVE.
- 4 PACKAGED 12 PIECES PER HARD TRAY.
- 5 FINISH; CONTACT AREA: 0.00025 MIN GOLD PLATE ON 0.001 MIN ALL OVER NICKEL SOLDERING AREA: BRIGHT TIN LEAD PLATE.
- 6 PART PACKAGED PER EIA-1S704 STANDARD. REEL DIAMETER SHALL BE 330mm. TAPE WIDTH SHALL BE 88mm AND TAPE PITCH SHALL BE 36mm.



SUPERSEDED BY	REMARKS	FINISH	POWER SUPPLY	POS	PART NUMBER
NIL	AVAILABLE	2	DRAM 3.3V	144	6-390113-1 6
3-390113-1	NOT AVAILABLE	5	DRAM 3.3V	144	3-390113-4 4
NIL	AVAILABLE	2	DRAM 3.3V	144	3-390113-1 4
390113-1	NOT AVAILABLE	5	DRAM 3.3V	144	390113-4
NIL	AVAILABLE	2	DRAM 3.3V	144	390113-1

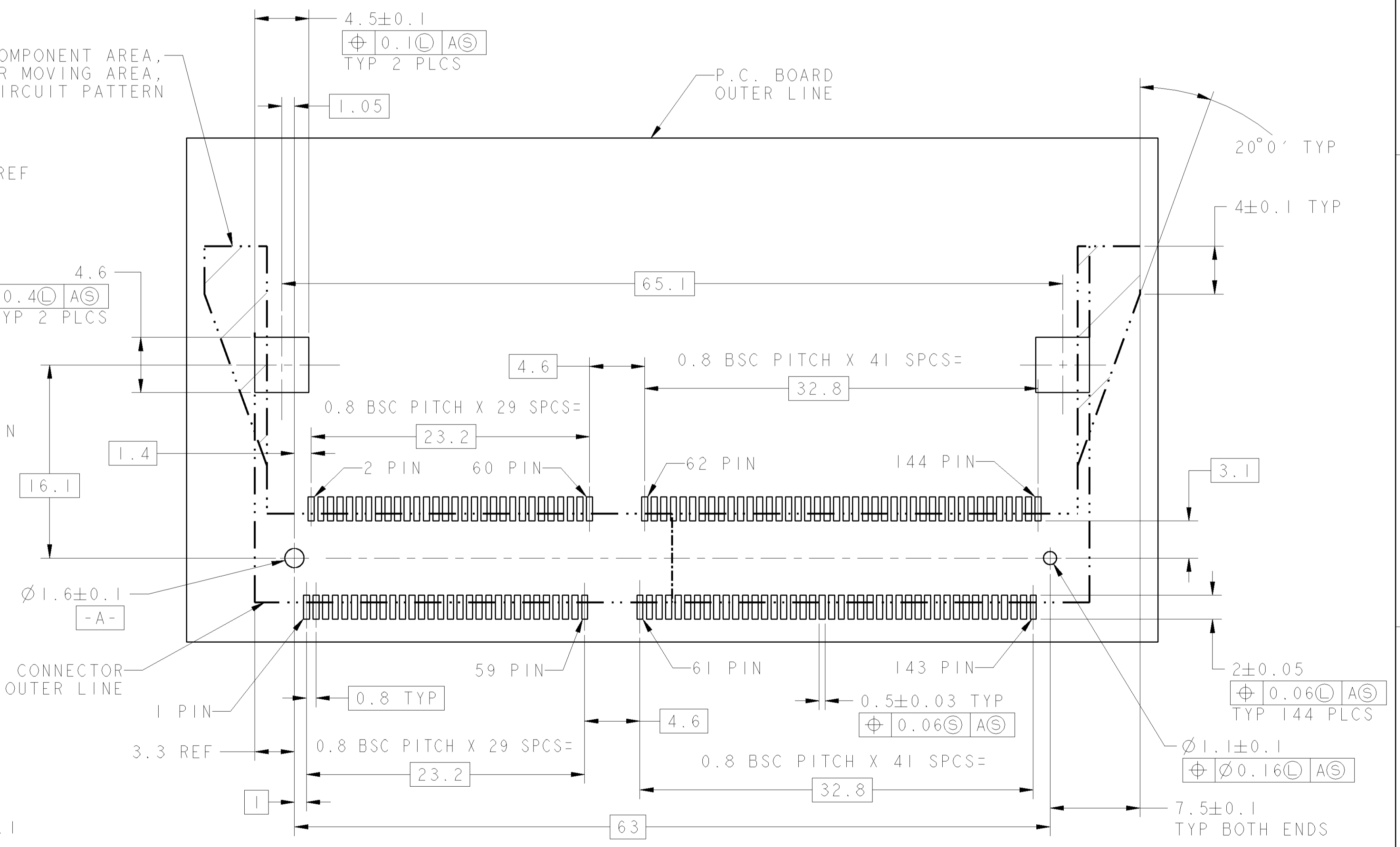
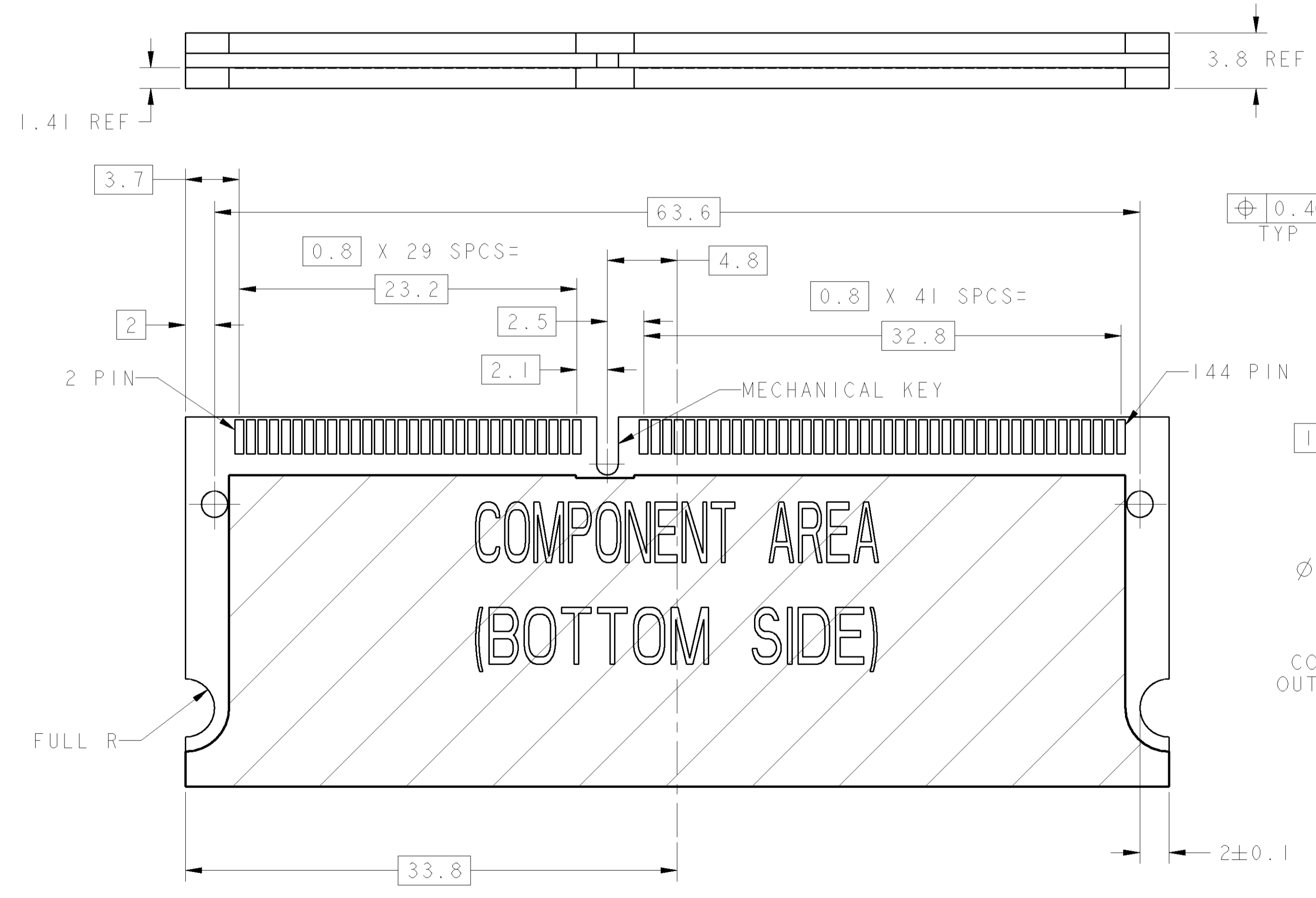
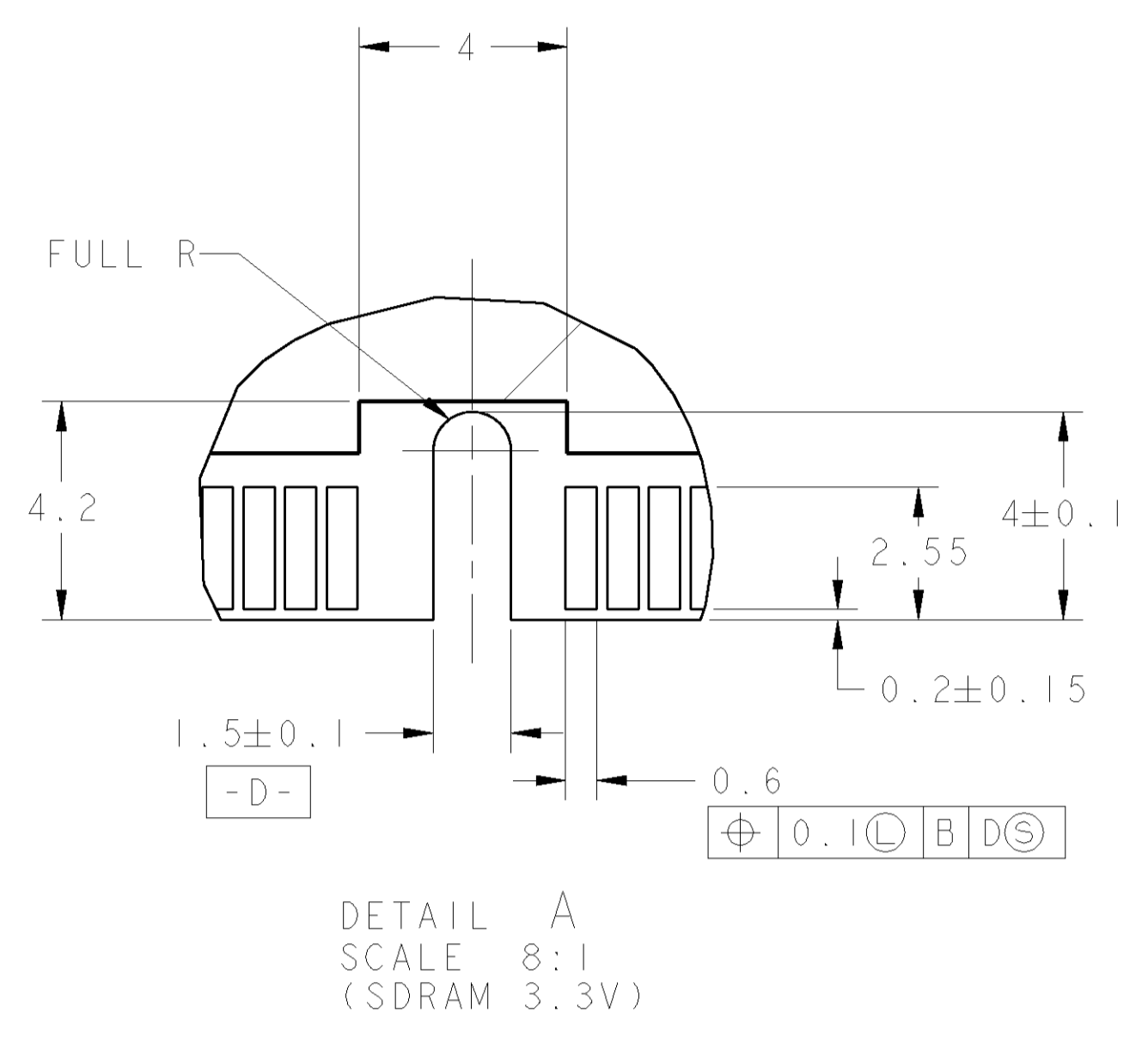
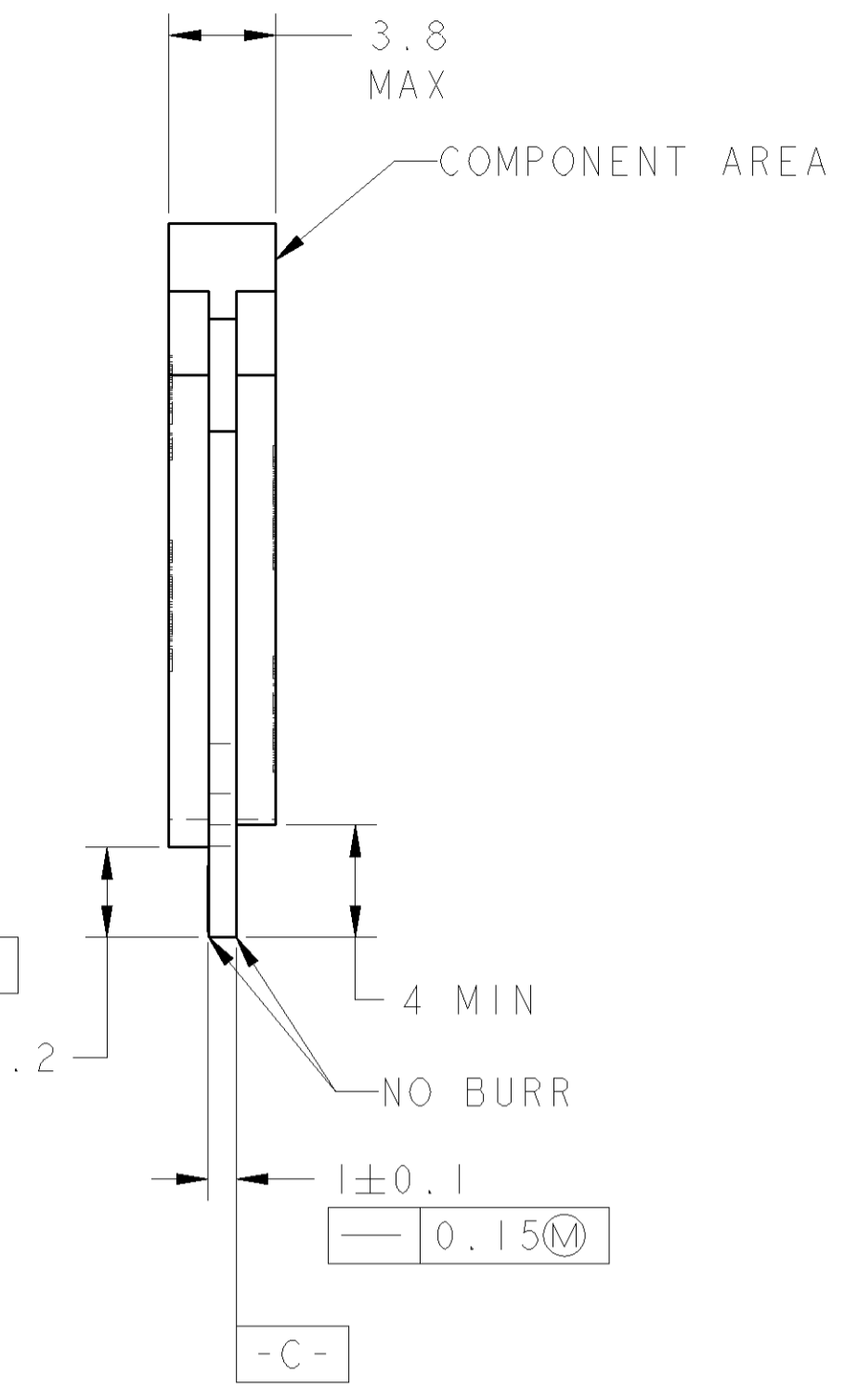
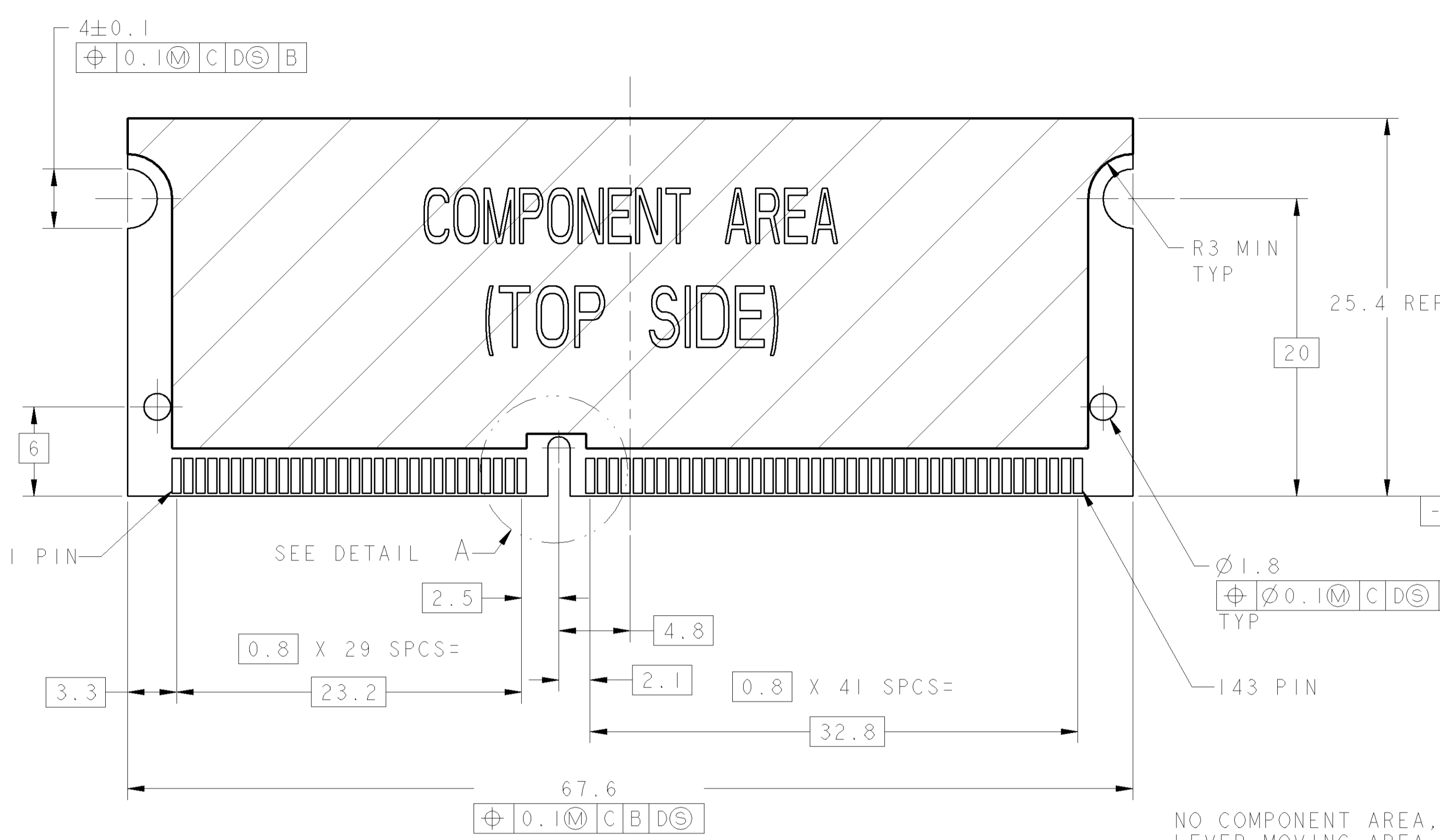
AMP MANUFACTURING (SINGAPORE) PTE. LTD.

NAME: 3.0 DIMM SOCKET, 0.8mm PITCH, 3.3V, 144 POSITION, STD PROFILE FOR SDRAM TYPE MODULE

SIZE: 00779 C=390113

SCALE: 4:1 SHEET 1 OF 2 REV L

LOC		DIST		REVISIONS			
NO	DATE	BY	CHK	DESCRIPTION	DATE	BY	CHK
1				SEE SHEET 1			



RECOMMENDED P.C. BOARD PATTERN LAYOUT (CONNECTOR MOUNTING SIDE)

<small>THIS DRAWING IS A CONTROLLED DOCUMENT FOR AMP INCORPORATED. ALL RIGHTS RESERVED. THE CONTROLLER OR INSPECTOR ORGANIZATION SHOULD BE CONTACTED FOR THE LATEST REVISION.</small>		DWN: W. SORAH 6-20-97 CHK: R. TALLEY 6-20-97 APD: SE LEONG PRODUCT SPEC APPLICATION SPEC SIZE: 3.0 CAGE CODE: 00779 DRAWING NO: 390113 CUSTOMER DRAWING	AMP MANUFACTURING (SINGAPORE) PTE. LTD. NAME: S.O. DIMM SOCKET, 0.8mm PITCH, 3.3V, 144 POSITION, STD PROFILE FOR SDRAM TYPE MODULE SCALE: 4:1 SHEET: 2 OF 2 REV: L
DIMENSIONS: mm TOLERANCES UNLESS OTHERWISE SPECIFIED: 0 PLC ±0.2 1 PLC ±0.2 2 PLC ±0.2 3 PLC ±0.2 4 PLC ±0.2 ANGLES: ±0.5	FINISH: SEE TABLE	WEIGHT: - SCALE: 4:1 SHEET: 2 OF 2 REV: L	RESTRICTED TO: -